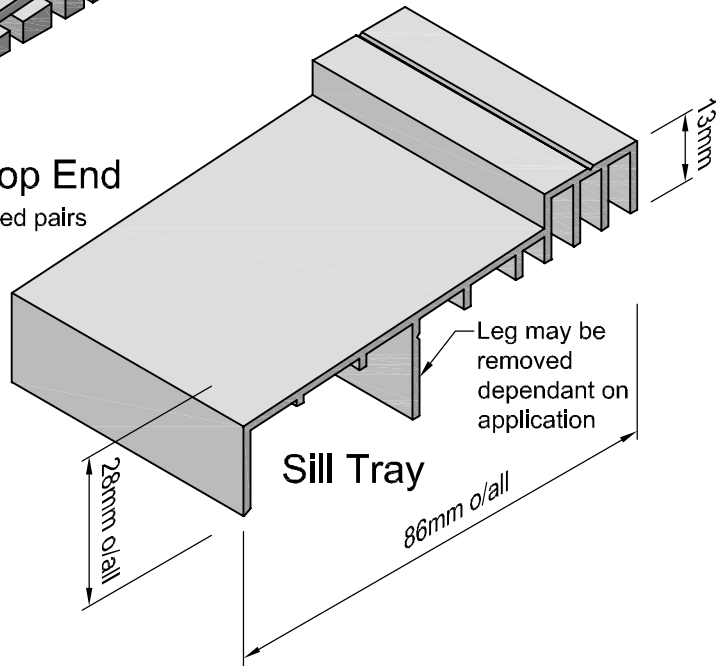


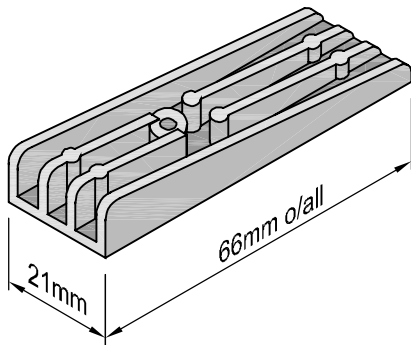
Sill Tray Stop End
Supplied as handed pairs

Tang may be removed dependant on application

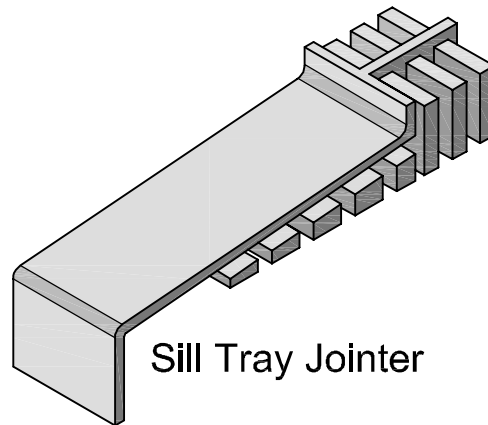


Sill Tray

Leg may be removed dependant on application



Support Wedge



Sill Tray Jointer

General notes:

All materials & building procedures must comply with NZBC Acceptable Solutions & the requirements of NZS 3604.

B	Amended	Dec 06
A	Amended	Oct 05
0	Original	May 04
Rev	Description	Date

REDWAY DEVELOPMENTS LTD

Manufacturer's of 'The Sill Tray'
BRANZ Appraised No. 424 (2005)

SALES: P.O.Box 31 - 202, Christchurch 8030, NEW ZEALAND
TELEPHONE: 64 3 358 5775, FACSIMILE: 64 3 358 9529



Title **SILL TRAY PROFILES**

FACTORY:
13 Michelle Place,
Christchurch 8001
NEW ZEALAND
TELEPHONE: 64 3 332 4228
FACSIMILE: 64 3 337 2055
E-MAIL: silltrays@slngshot.co.nz

Scale	Original size	Date
NTS	A4	May 04

Drawing No.
ST-001