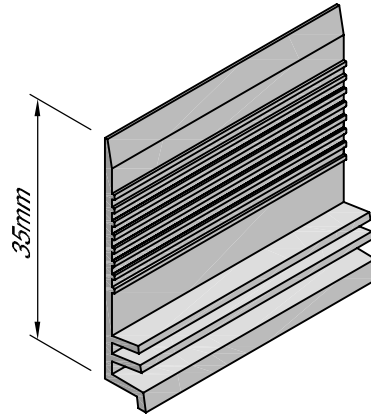
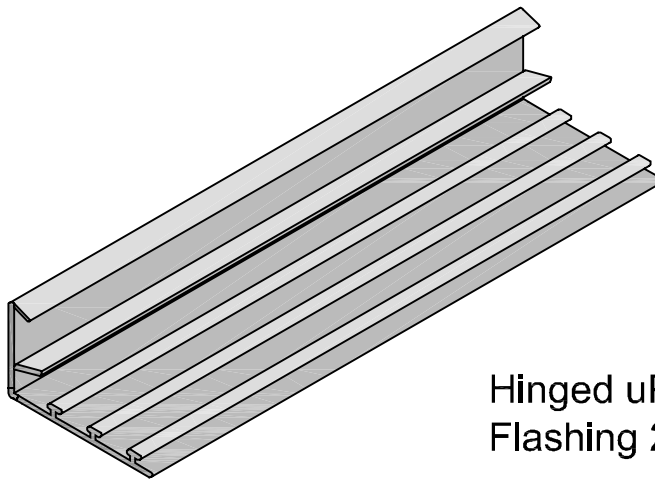


21mm uPVC Ventilated Cavity Closer 2.7m long



uPVC Cant Strip (Weatherboard Starter) 2.7m long



Hinged uPVC Sill / Jamb Flashing 2.4m long

General notes:

All materials & building procedures must comply with NZBC Acceptable Solutions & the requirements of NZS 3604.

B	Amended	Dec 06
A	Amended	Oct 05
0	Original	Oct 05
Rev	Description	Date

REDWAY DEVELOPMENTS LTD

Manufacturer's of 'The Sill Tray'
BRANZ Appraised

SALES: P.O.Box 31 - 202, Christchurch 8030, NEW ZEALAND
TELEPHONE: 64 3 358 5775, FACSIMILE: 64 3 358 9529

Title **FLASHING PROFILES**

FACTORY:
13 Michelle Place,
Christchurch 8001
NEW ZEALAND
TELEPHONE: 64 3 332 4228
FACSIMILE: 64 3 337 2055
E-MAIL: silltrays@slingshot.co.nz

Scale	Original size	Date
NTS	A4	Oct 05

Drawing No.
ST-002