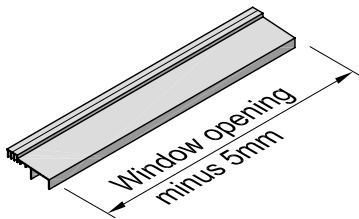
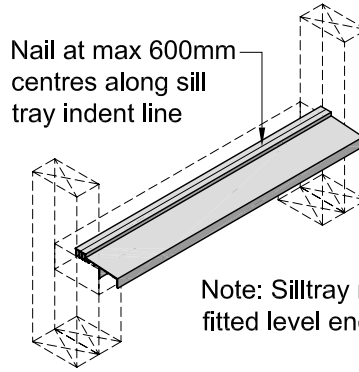


# Silltray Installation Details for Direct Fixed Bevel Backed Weatherboards - Timber or Fibre Cement



**Note:** Building wrap & flexible flashing tape must be fitted over framing to the requirements of NZBC Acceptable Solutions & NZS 3604



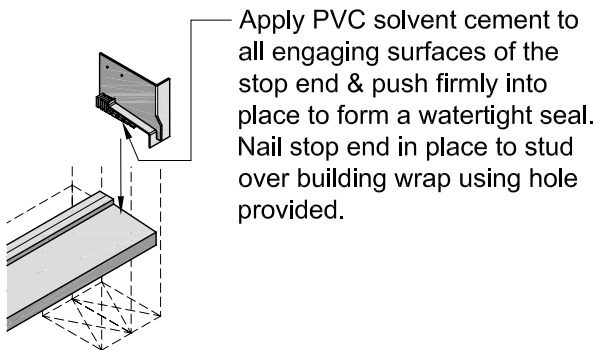
**Note:** Silltray must be fitted level end to end

Measure window opening, deduct 5mm & cut Silltray to this length true & square

## STEP 1

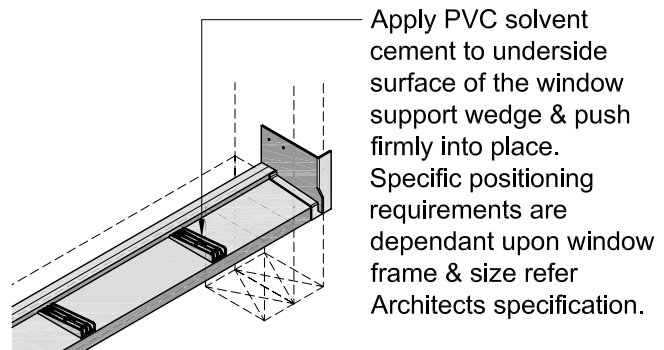
Position & nail fix sill tray using inner downstand leg as a guide refer Detail ST-003

## STEP 2



Apply PVC solvent cement to all engaging surfaces of the stop end & push firmly into place to form a watertight seal. Nail stop end in place to stud over building wrap using hole provided.

Adhesive fix sill tray stop ends

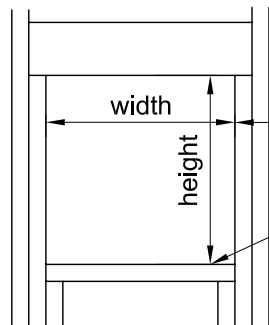


Apply PVC solvent cement to underside surface of the window support wedge & push firmly into place. Specific positioning requirements are dependant upon window frame & size refer Architects specification.

Adhesive fix window support wedges

## STEP 3

## STEP 4



10mm clearance is required between jamb liner & stud.  
13mm clearance is required between underside of window liner & top of sill plate.  
For window frame positioning refer Detail ST-003.

## Window frame measurements, recommended clearances.

### Installation Notes:

- Aluminium Window Manufacturers can supply packers tailored to their system which fit frame sill profile & provide firm support onto our support wedges, refer Detail ST-003. We recommend the use of these packers in all cases.
- 15mm must be added to the height of the window opening during framing.

### General notes:

All materials & building procedures must comply with NZBC Acceptable Solutions & the requirements of NZS 3604.

**REDWAY DEVELOPMENTS LTD**

Manufacturer's of 'The Sill Tray'  
BRANZ Appraised No. 424 (2005)

SALES: P.O.Box 31 - 202, Christchurch 8030, NEW ZEALAND  
TELEPHONE: 64 3 3585 775, FACSIMILE: 64 3 3589 529



**PAGE 5 - SILL TRAY INSTALLATION**