

E2

FLASHING

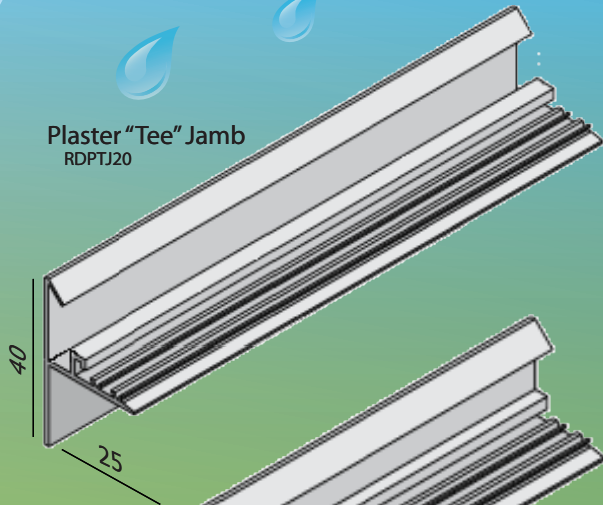
SOLUTIONS

Plaster Accessories

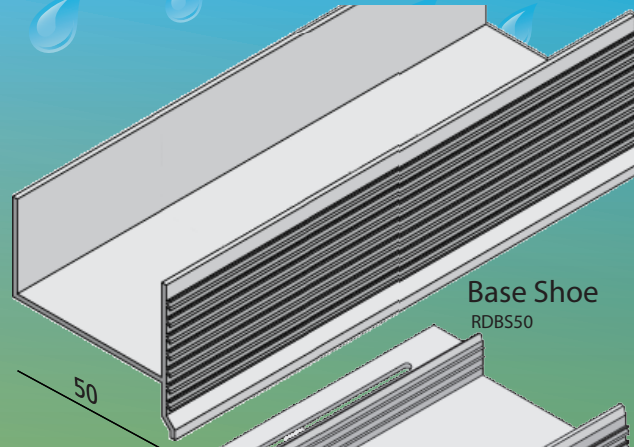
Phone: 03 358 5775 Fax: 03 358 9529

For detail downloads go to www.e2flashingsolutions.co.nz

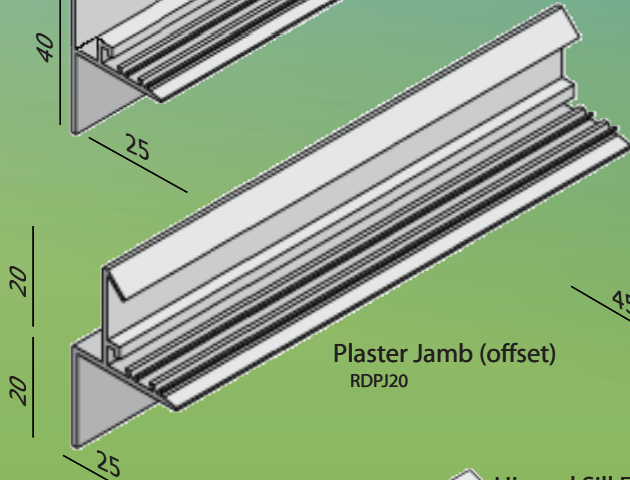
Plaster "Tee" Jamb
RDPTJ20



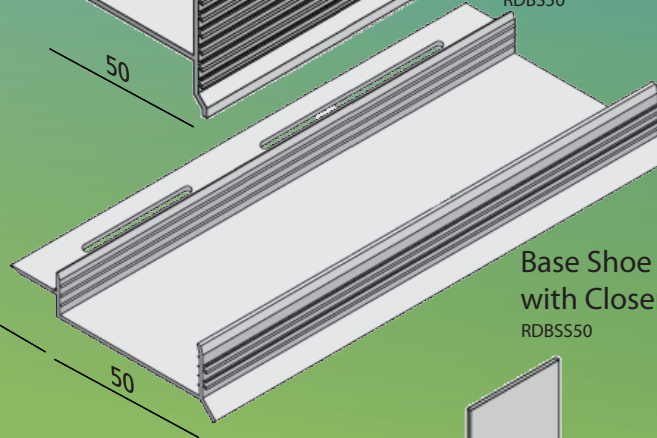
Base Shoe
RDBS50



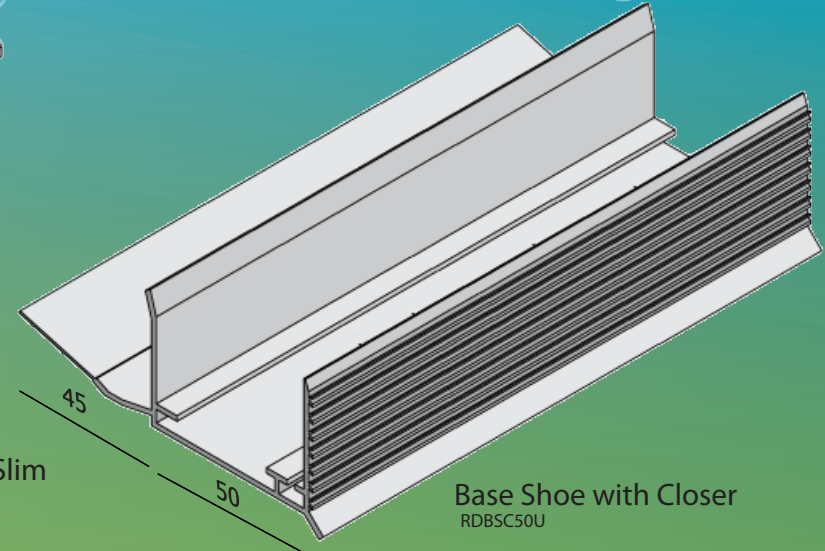
Plaster Jamb (offset)
RDPJ20



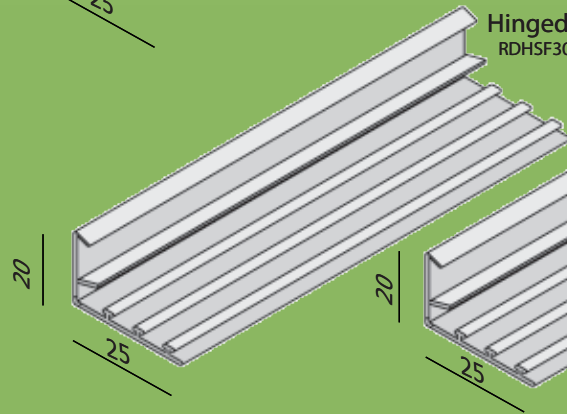
Base Shoe Slim
with Closer
RDBSS50



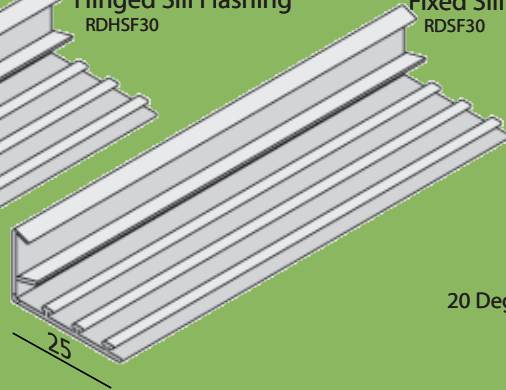
Base Shoe with Closer
RDBSC50U



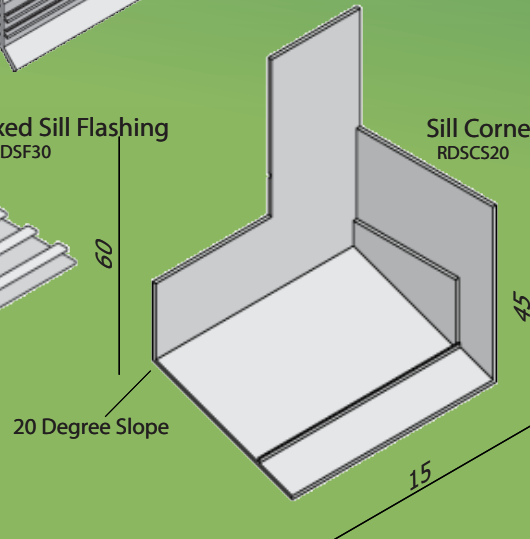
Hinged Sill Flashing
RDHSF30



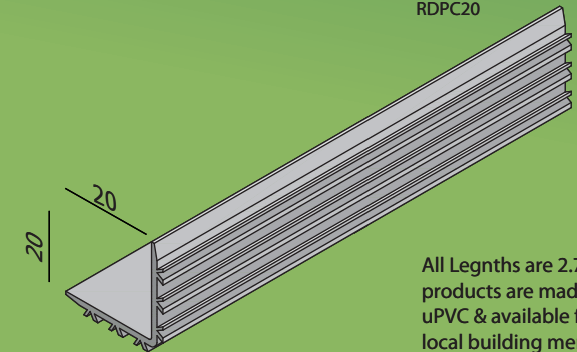
Fixed Sill Flashing
RDSF30



Sill Corner Soaker
RDSCS20



Plaster Corner
RDPC20



All Legnths are 2.7 M. All products are made from uPVC & available from your local building merchant